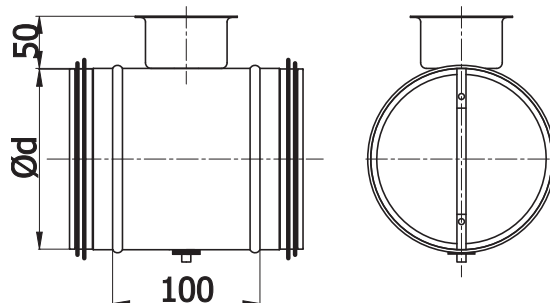




Dimensions



Description

The DASL damper with EPDM gasket on flange is designed so as to admit an insulation thickness of up to 50mm. The DASL damper is applicable wherever completely airtight shut-off is not required. The damper blade can be adjusted on the handle within a range of 0° to 90°. The blade can be locked using a screw.

Example identification

Product code: **DASL - aaa**

type _____
 Ød₁ _____

Ød ₁ rated [mm]	weight [kg]
80	0,40
100*	0,45
125*	0,55
140	0,60
150*	0,65
160*	0,70
180	0,75
200*	0,80
224	0,90
250	1,20
280	1,40
300	1,50
315	1,60
355	2,00
400	2,60
450	3,50
500	4,00
560	4,80
600	5,20
630	5,70

* made with pressed blades.

Dampers with diameter bigger than 630mm should be used as multi-blade damper with concentric rectangular-to-round reducer.