

Y-piece with gasket

YSVL-45



Description

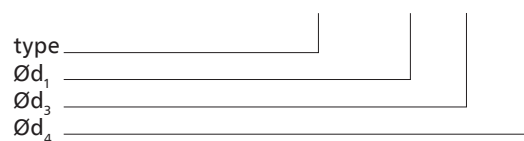
Y-pieces are the best ventilation system components in terms of the air flow distribution. As a result of the uniform air distribution, all ductwork sections operate have the same pressure and flow distribution characteristics. The gaskets installed in the piece meet requirements of air tightness class D according to EN 12237. The piece is most often installed in mechanical and heat recuperation ventilation systems in residential buildings.

YSVL-45 — T-piece with an EPDM gasket and a 45° branch port. Available on request: 15°, 30°, 60°, e.g. YSVL-15- d₁ - d₃ - d₄

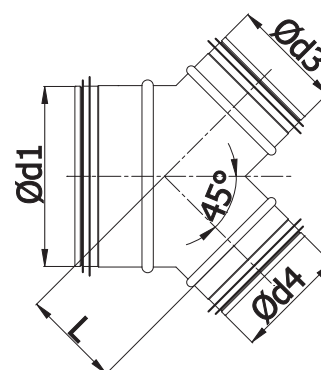
Specify both angles and all tube diameters when ordering. Standard version: d₃=d₄

Available materials — Product code example
 YSVL-45-... -...-... — galvanized steel sheet
 YSVL-45-K-...-...-... — 1.4301/304 stainless steel sheet
 YSVL-45-K-...-...-...-316L — 1.4404/316L stainless steel sheet, molybdenum-enriched
 YSVL-45-A-...-...-... — AW-1050A H24 aluminium sheet
 YSVL-45-CU-...-...-... — M1E z4 copper sheet

Product code example
 Product code: **YSVL-45 - aaa - bbb - ccc**



Dimensions



Ød ₁ (mm)	Ød ₃ (mm)	Ød ₄ (mm)	L (mm)	Weight (kg)
80	80	80	120	0.4
100	100	100	140	0.5
125	125	125	170	0.7
140	100	100	185	0.8
150	100	100	190	1.0
160	112	112	195	1.2
160	160	160	205	1.3
180	125	125	215	1.5
200	140	140	230	1.7
250	180	180	280	1.9
280	200	200	310	2.3
300	200	200	320	2.5
315	224	224	335	2.9
355	250	250	365	4.0
400	280	280	400	4.6
400	300	300	410	4.8
450	315	315	440	6.4
500	355	355	490	7.7
560	400	400	550	9.2
600	400	400	580	9.8
630	450	450	610	11.4
710	500	500	670	15.6
800	560	560	680	18.8
900	630	630	730	21.5
1000	710	710	900	31.0
1120	800	800	960	39.0
1250	900	900	1050	46.7
1400	1120	1120	1250	67.4
1400	1250	1250	1340	75.8
1500	1250	1250	1420	80.4
1500	1400	1400	1520	92.8
1600	1400	1400	1630	101.2
1600	1500	1500	1700	111.0