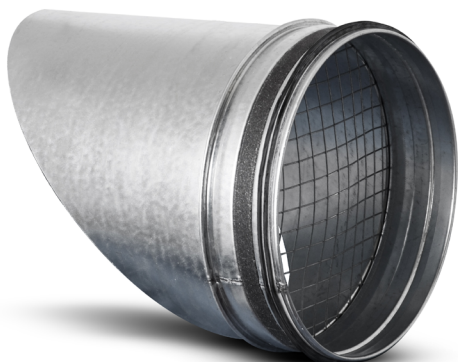


# Angle take-off with mesh

## ASVL-45-SMO



### Description

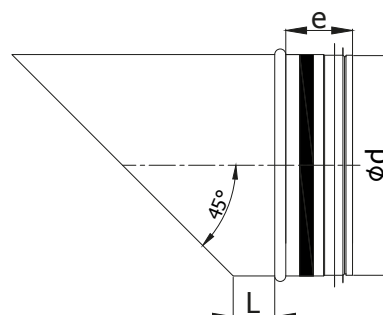
ASVL-45-SMO angle take-off with mesh, with male end ASVL-45-SMO with fire resistance E<sub>600</sub> 120 (h<sub>o</sub>) S1500 singles designed for single-compartment smoke extraction systems and mixed (dual-function) systems. The 12.7x12.7 mm mesh, a drip directed at 45° angle, GASK double lip gasket for ventilation fittings made of EPDM rubber and a 1.8 mm thick and 10 mm wide intumescent seal. Welding points and other joints are covered with high-temperature sealant. SMOKE System fittings are available in diameters from 100 to 1000 mm.

#### Product code example

Product code: **ASVL-45-SMO - aaa**

type \_\_\_\_\_  
 Ød \_\_\_\_\_

### Dimensions



Ød <sub>1 nom</sub> [mm]	L [mm]	Weight [kg]
100	20	0.27
125	30	0.39
140	30	0.45
150	30	0.49
160	30	0.55
180	30	0.64
200	30	0.74
224	30	0.88
250	60	1.18
280	60	1.39
300	60	1.55
315	60	1.69
355	60	2.02
400	60	2.42
450	90	3.35
500	90	3.93
560	90	4.68
600	90	1.20
630	90	5.75
710	120	7.98
800	120	12.23
900	120	14.98
1000	120	17.95