

T-piece damper for GCHX (ground-coupled heat exchangers)

DATVTL



Description

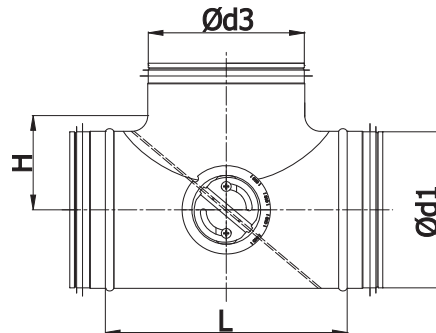
The DATVTL T-piece damper is an air distribution units which can replace two separate ventilation dampers. The easy adjustment control can divert the air flow to either of the two 90°-spaced legs, with the other leg automatically closed. The damper can also be used for supplying air via either of the two legs from an external air supply valve, a ground-coupled heat exchanger, or a fireplace hot air hood. All damper sizes come with the KIT-DS-H damper mechanism control handle for easier operation. The ends of the damper are provided with EPDM gaskets to ensure air tightness class D.

Available materials — Product code examples
 DATVTL-... — galvanized steel sheet

Product code example
 Product code: **DATVTL - aaa**

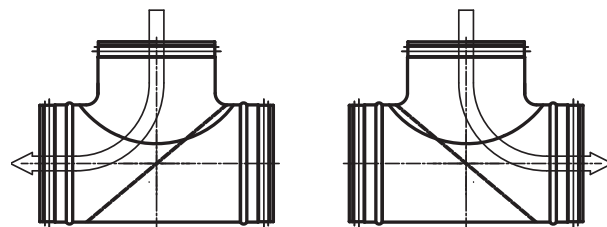
type _____
 Ød₁ _____

Dimensions



Ød _{1 nom} (mm)	Ød _{3 nom} (mm)	L (mm)	H (mm)	Weight (kg)
100	100	151	65	0.8
125	125	184	83	1.1
160	160	229	105	1.7
200	200	281	125	2.2
250	250	307	150	3.4
315	315	390	182	4.9

Air flow directions



T-piece damper for GCHX (ground-coupled heat exchangers)

DATVTL

Technical specifications

