

Shutoff damper with actuator mounting

DASL-CV



Description

The DASL-CV shutoff damper with EPDM gaskets at both flange connections is designed for cladding with up to 50 mm thick insulation.

The DASL-CV shutoff damper is a good choice when the ductwork closure does not have to be fully airtight. The damper closure position can be read on the 0° to 90° dial of the control handle. The damper closure opening ratio can be fixed with a screw.

The DASL-CV shutoff damper can be easily adapted for mounting Belimo power actuators. The power actuator must be compatible with the 8x8 mm square bar.

The product has safe edges.

Available materials — Product code examples

DASL-CV-... — galvanized steel sheet

DASL-CV-K-... — 1.4301/304 stainless steel sheet

DASL-CV-K-...-316L — 1.4404/316L stainless steel sheet

DASL-CV-A-... — aluminium sheet*

DASL-CV-CU-... — copper sheet

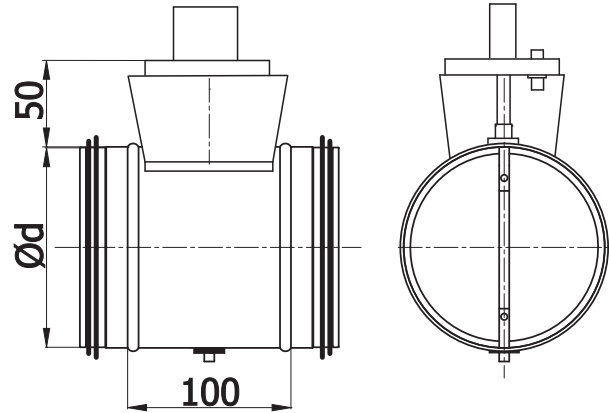
*KIT-DS.-CV-K damper mechanism

Product code example

Product code: **DASL-CV - aaa**

type _____
 $\varnothing d_1$ _____

Dimensions



$\varnothing d_{1, nom}$ (mm)	Weight (kg)
80	0.40
100	0.45
125	0.55
140	0.60
150	0.65
160	0.70
180	0.75
200	0.80
224	0.90
250	1.20
280	1.40
300	1.50
315	1.60
355	2.00
400	2.60