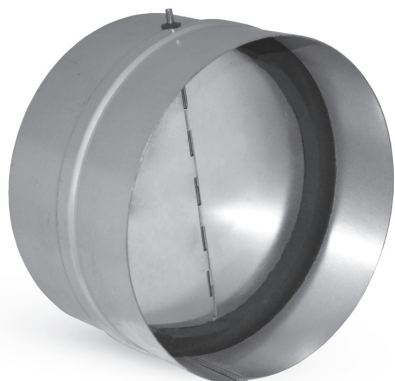


Round non-return damper

DAOS



Description

The DAOS dampers feature a split flap closure and allow the air flow to pass in one direction only. The aluminium closure flaps are pressed against a foam seal when closed to reduce the operating noise in the ductwork. The split flap closure is held closed with a spring gear, which makes it also possible to use the damper in vertical installations. A version intended for a full-male insertion into the ductwork ends is available on special request.

Available materials - Product code examples

DAOS-... - galvanized steel sheet

DAOS-K-... - 1.4301/304 stainless steel sheet

DAOS-A-... - aluminium sheet

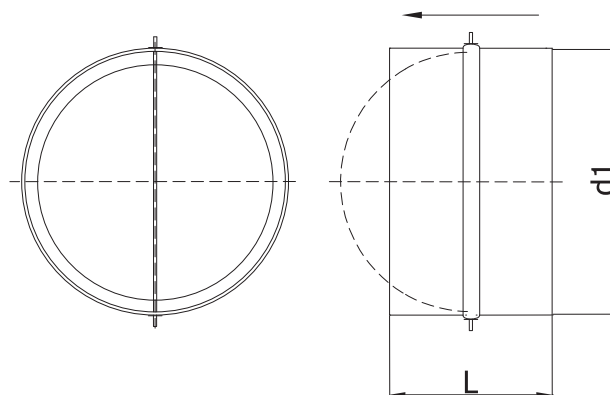
Product code example

Product code: **DAOS - aaa**

type _____

Ød₁ _____

Dimensions



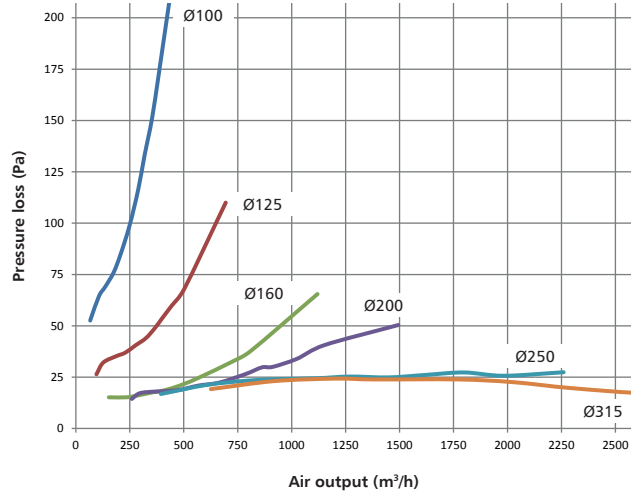
Ød _{1 nom} (mm)	L (mm)	Weight (kg)
80	81	0.1
100	81	0.1
125	81	0.2
150	81	0.2
160	81	0.2
180	81	0.3
200	81	0.3
250	190	0.8
300	190	0.9
315	190	1.0
355	270	1.5
400	270	1.7
450	270	1.9
500	270	2.1

Diameter sizes up to Ød 560 mm are available on request.

Round non-return damper DAOS

Technical specifications

Pressure loss chart for DAOS



Pressure loss chart for DAOS-K

