

Airtight Dampers for Servomotor DATML/DATM

[Download Wentyle](#)
[Download AlnorCAM](#)
[Buy via B2B](#)



Description

Dampers with servomotor shelf, available in sizes from Ø80 to Ø630mm, including sizes in between. The servomotor shelf is installed so as to admit an insulation thickness of up to 50mm. DATML/DATM dampers can be employed wherever completely airtight shut-off is required.

The setting angle can be adjusted using a mechanical end stop screw fitted directly onto the servomotor.

If the damper is to be operated outdoors, the motor should be protected against UV radiation and precipitation.

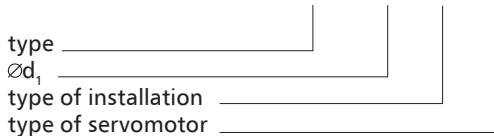
It is possible to use various servomotors with each of the dampers.

DATM – shut-off damper for servomotor.

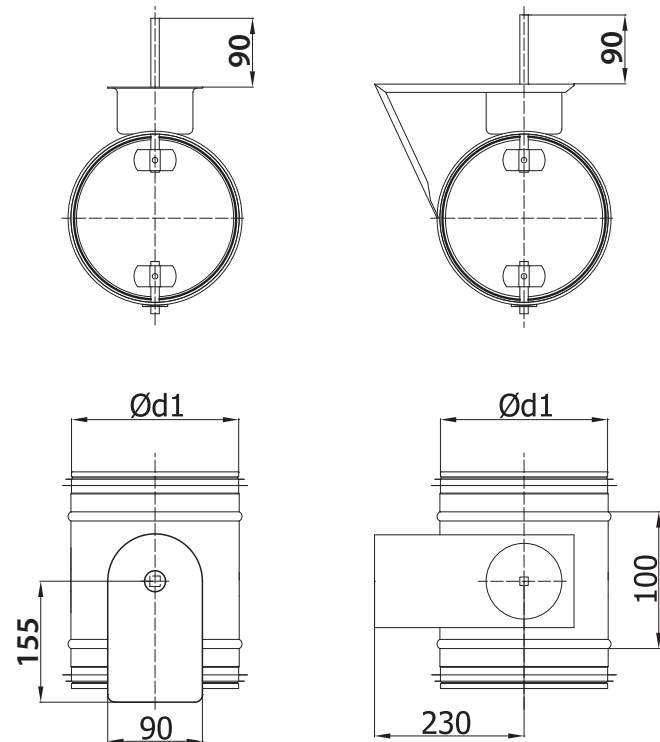
DATML – shut-off damper for servomotor, with gaskets on flanges.

Example identification

Product code: **DATML- aaa -ccc- bbb**



Dimensions



Ød ₁ rated [mm]	weight [kg]
80	0,6
100	0,7
125	0,8
160	0,9
200	1,2
250	1,5
315	1,8
355	2,3
400	2,8
450	3,8
500	4,5
560	5,2
630	6,0